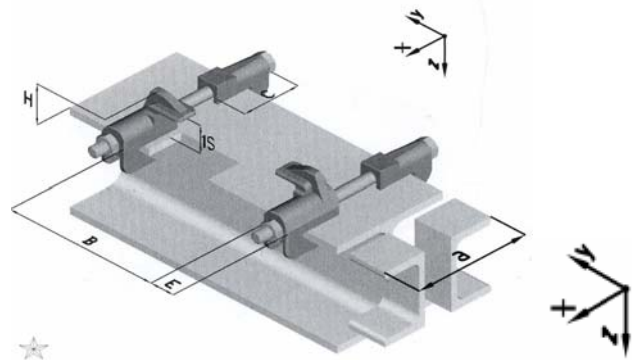
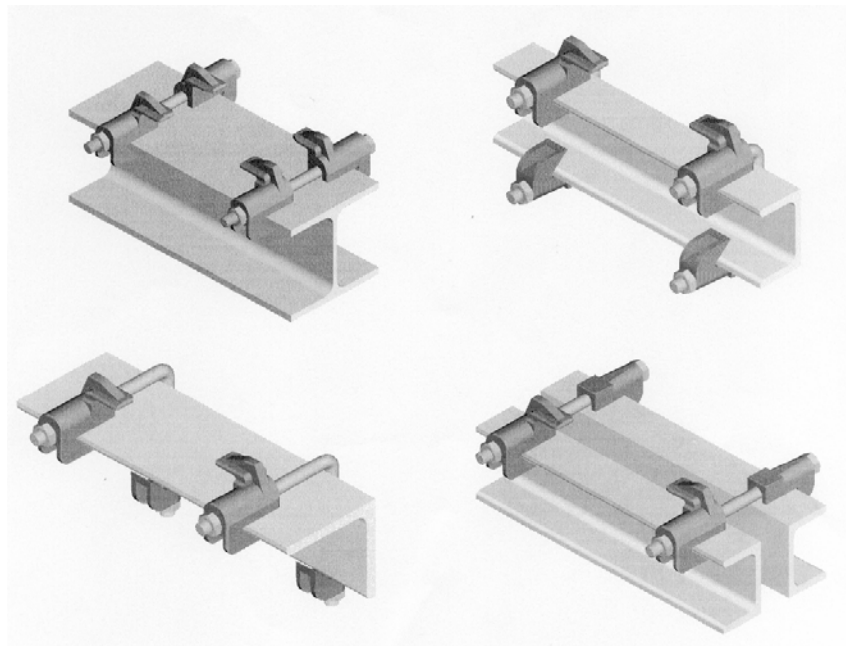


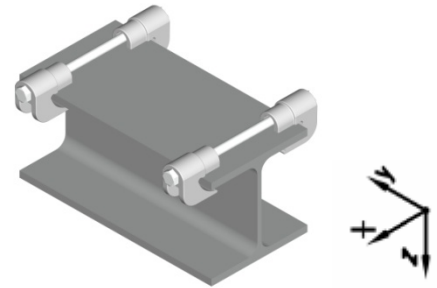
System : 22/H4-H1



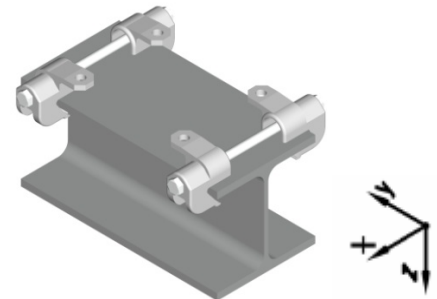
Applicable for beam profiles P	Beam dimensions		Loadgroup	Force (kN)			Weight kg	Thread
	Thickn.	Width		Fx	Fy	Fz		
HEA 100-300	6-15	100-300	1	-	+/- 3,90	-3,90	0,8	M12
HEB 100-160								
IPE 200-360								
T 50-140								
For Pipe shoes	Base plate thickness <=13mm - no U profile, B=all							
Description	2xH4 + 1xH1L + 1xH1R + 2 tie rods M12 + 4 nuts M12 –HD galvanised							

Other configurations



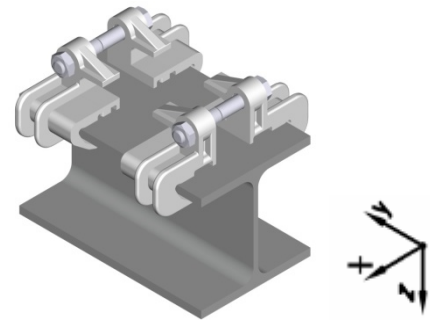
System 22/H4

Applicable for beam profiles P	Beam dimensions		Load group	Force (kN)			Weight kg	Thread
	Thickn.	Width		Fx	Fy	Fz		
HEA 100-400	6-20	80-200	1	-	+/- 3,90	-	0,8	M12
HEB 100-300								
IPE 160-600								
T 80-140								
For Pipe shoes	All							
Description	4 x H4 + 2 tie rods M12 + 4 nuts M12 –HD galvanised							

System 22/H1H

Applicable for beam profiles P	Beam dimensions		Load group	Force (kN)			Weight kg	Thread
	Thickn.	Width		Fx	Fy	Fz		
HEA 100-400	6-20	80-200	1	-	+/- 3,90	-10,0	0,8	M12
HEB 100-300								
IPE 160-600								
T 80-140								
For Pipe shoes	Base plate thickness <=15mm - no U profile							
Description	2 x H1LH + 2xH1RH + 2 tie rods M12 + 4 nuts M12 –HD galvanised							

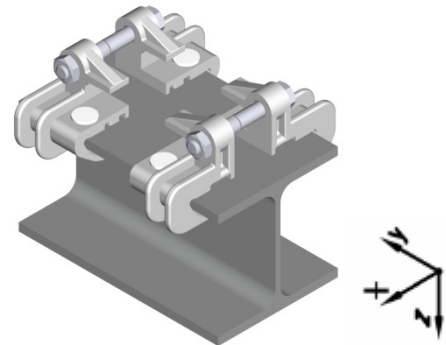
System 22/H101



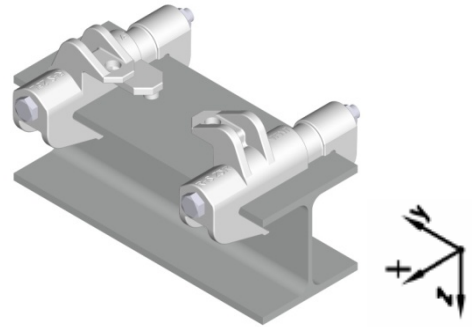
Applicable for beam profiles P	Beam dimensions		Load group	Force (kN)			Weight kg	Thread
	Thickn.	Width		Fx	Fy	Fz		
HEA 100-400	6-20	100-300	2	-	+/- 8,0	+60,0 -9,0	1,8	M12
HEB 100-300								
IPE 200-600								
T 100-140								
For Pipe shoes	Base plate thickness <=15mm - no U profile,							
Description	2xH101L + 2xH101R + 2 bolts M12 + 2 nuts M12 - HD galvanised							

System 22/H103 (with PTFE slide paths)

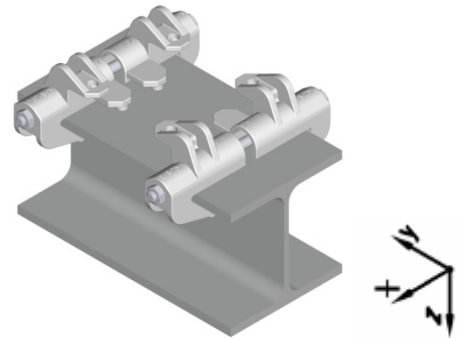
Remark : the combination of PTFE and a stainless steel plate on the bottom of the pipe shoes results in 5-10% friction instead of 30% for carbon steel at carbon steel.



Applicable for beam profiles P	Beam dimensions		Load group	Force (kN)			Weight kg	Thread
	Thickn.	Width		Fx	Fy	Fz		
HEA 100-400	6-20	100-300	2	-	+/- 8,0	+60,0 -9,0	1,8	M12
HEB 100-300								
IPE 200-600								
T 100-140								
For Pipe shoes	Base plate thickness <=15mm - no U profile,							
Description	2xH103L + 2xH103R + 2 bolts M12 + 2 nuts M12 - HD galvanised							

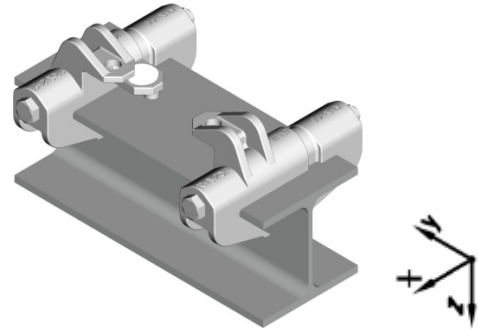
System 22/H201 simple

Applicable for beam profiles P	Beam dimensions		Load group	Force (kN)			Weight kg	Thread
	Thickn.	Width		Fx	Fy	Fz		
HEA 100-400	6-20	180-300	1	-	+/- 6,3	+30,0 -8,0	1,3	M12
HEB 100-300								
IPE 200-600								
T 80-140								
For Pipe shoes	Base plate thickness <=15mm - no U profile,							
Description	1xH201L + 1xH201R + 2x H4H + 2 tie rods M12 + 2 nuts M12 - HD galvanised							

System 22/H201 double

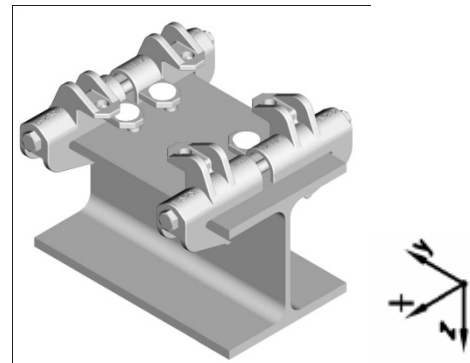
Applicable for beam profiles P	Beam dimensions		Load group	Force (kN)			Weight kg	Thread
	Thickn.	Width		Fx	Fy	Fz		
HEA 120-400	6-20	120-300	2	-	+/- 6,3	+60,0 -15,0	1,6	M12
HEB 120-300								
IPE 240-600								
T 120-140								
For Pipe shoes	Base plate thickness <=15mm - no U profile							
Description	2xH201L + 2xH201R + 2 tie rods M12 + 4 nuts M12 - HD galvanised							

System 22/H203 simple (+PTFE)

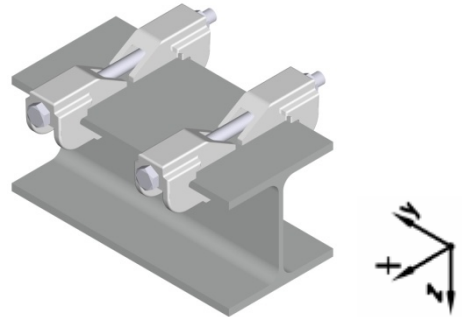


System 22/H203 double / double (+ PTFE)

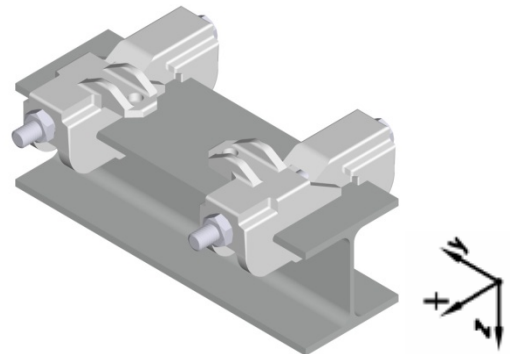
Remark : the combination of PTFE and a stainless steel plate on the bottom of the pipe shoes results in 5-10% friction instead of 30% for carbon steel at carbon steel.



Applicable for beam profiles	Beam dimensions		Load group	Force (kN)			Weight kg	Thread
	Thickn.	Width		Fx	Fy	Fz		
HEA 120-400	6-20	120-300	2	-	+/- 6,3	+14,8 -15,0	1,6	M12
HEB 120-300								
IPE 240-600								
T 120-140								
For Pipe shoes	Base plate thickness <=15mm - no U profile							
Description	2xH203L + 2xH203R + 2 tie rods M12 + 4 nuts M12 - HD galvanised							

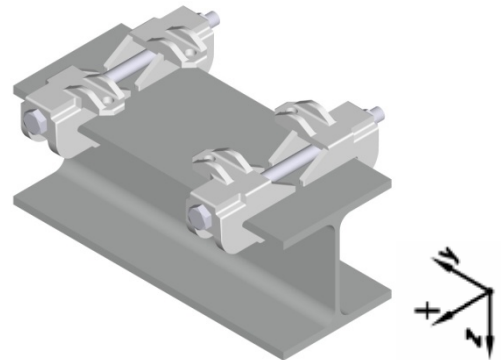
System 22/H48

Applicable for beam profiles	Beam dimensions		Load group	Force (kN)			Weight kg	Thread
	Thickn.	Width		Fx	Fy	Fz		
HEA 120-400	6-20	120-300	2	-	+/- 10	-	1,7	M16
HEB 120-300								
IPE 240-600								
T 120-140								
For Pipe shoes	All							
Description	4xH48 + 2 tie rods M16 + 4 nuts M16 - HD galvanised							

System 22/H48-H28

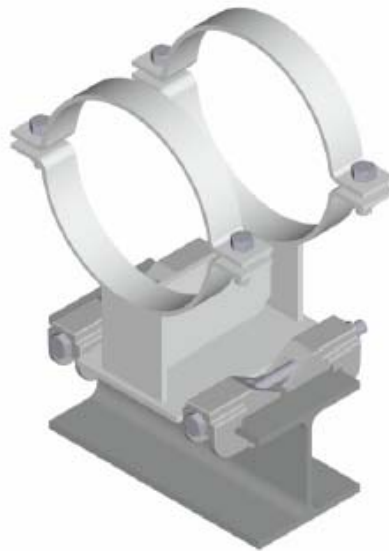
Applicable for beam profiles	Beam dimensions		Load group	Force (kN)			Weight kg	Thread
	Thickn.	Width		Fx	Fy	Fz		
HEA 100-400	6-20	80-300	2	-	+/- 10,0	-10,0	1,8	M16
HEB 100-300								
IPE 160-600								
T 80-140								
For Pipe shoes	Base plate thickness <=15mm - no U profile							
Description	1xH28L + 1xH28R + 2xH48 + 2 tie rods M16 + 4 nuts M16 - HD galvanised							

System 22/H28

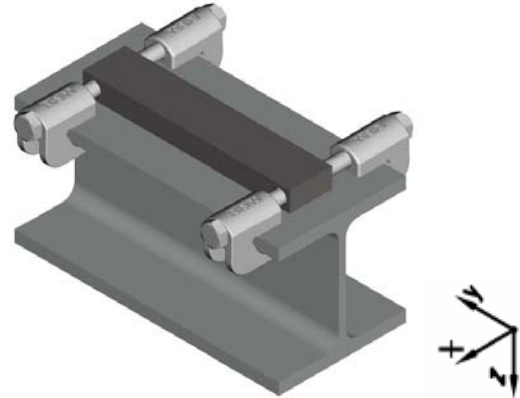


Applicable for beam profiles	Beam dimensions		Load group	Force (kN)			Weight kg	Thread
	Thickn.	Width		Fx	Fy	Fz		
HEA 120-400	6-20	120-300	2	-	+/- 10	-20,0	2	M16
HEB 120-300								
IPE 240-600								
T 120-140								
For Pipe shoes	Base plate thickness <=15mm - no U profile							
Description	2xH28L + 2xH28R + 2 tie rods M16 + 4 nuts M16 - HD galvanised							

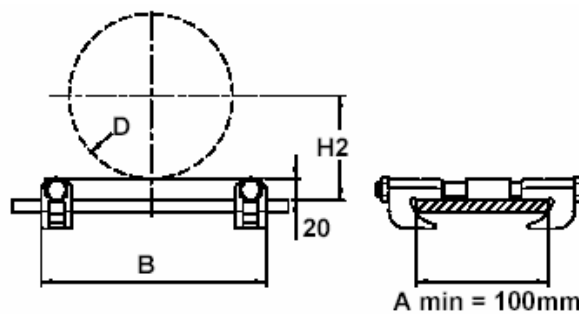
Example



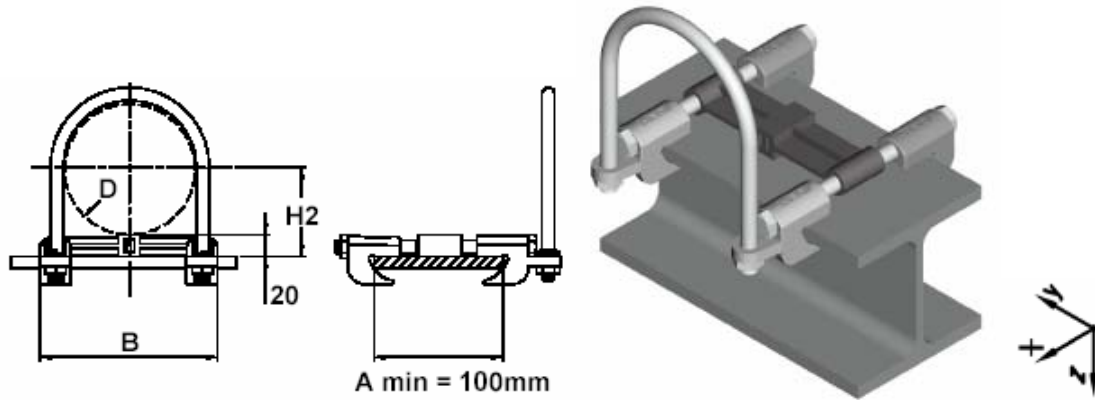
System 22/H4 + PA6



Dimension		Outside. diam.	Width H2	Lenght B	Tie rods	Load (KN)			Weight kg
mm	DN					Fx	Fy	Fz	
15	1/2"	21,3	31	133	M12	-	-	0,5	0,6
20	3/4"	26,9	33	133	M12	-	-	0,6	0,6
25	1"	33,7	37	133	M12	-	-	0,8	0,6
32	1 1/4"	42,4	41	133	M12	-	-	1,0	0,7
40	1 1/2"	48,3	44	158	M12	-	-	1,1	0,7
50	2"	60,3	50	158	M12	-	-	1,4	0,7
65	2 1/2"	76,1	58	164	M12	-	-	1,7	0,7
80	3"	88,9	64	214	M12	-	-	2,0	0,7
100	4"	114,3	77	218	M12	-	-	2,5	0,7
125	5"	139,7	90	240	M12	-	-	2,5	0,7
150	6"	168,3	104	272	M12	-	-	2,5	0,8
200	8"	219,1	130	329	M12	-	-	2,5	0,8
Description		4xH4 + 2 tie rods M12 + 4 nuts M12 – HD galvanised + 1 sliding bearing in PA6 thick. 20							
Applicable for profiles :		HEA100-HEA300 / HEB100-160 / IPE200-360							

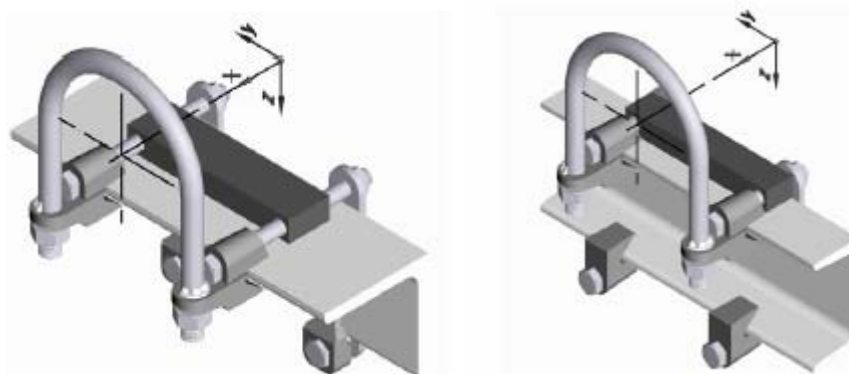


System 22/H4 - H5 + PA6

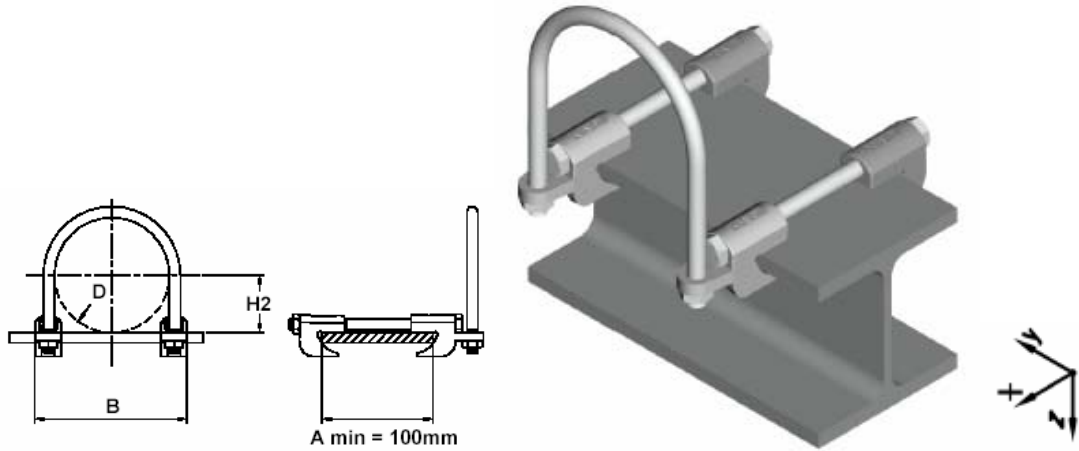


Dimension		Outside diam	Widht H2	Lenght B	U bolt	Load (KN)			Weight kg
mm	ND					Fx	Fy	Fz	
20	3/4"	26,9	33	65	M12	-	-	0,6	0,6
25	1"	33,7	37	72	M12	-	-	0,8	0,6
32	1 1/4"	42,4	41	80	M12	-	-	1,0	0,7
40	1 1/2"	48,3	44	86	M12	-	-	1,1	0,7
50	2"	60,3	50	100	M12	-	-	1,4	0,7
65	2 1/2"	76,1	58	118	M12	-	-	1,7	0,7
80	3"	88,9	64	130	M12	-	-	2,0	0,7
100	4"	114,3	77	160	M12	-	-	2,5	0,7
125	5"	139,7	90	188	M12	-	-	2,5	0,7
150	6"	168,3	104	216	M12	-	-	2,5	0,8
200	8"	219,1	130	272	M12	-	-	2,5	0,8
Description		2xH4 + 2xH5 + 2 tie rods M12 + 4 nuts M12 – HD galvanised + 1 sliding bearing in PA6 thick. 20+ 1 U bolt							
Applicable for profiles : HEA100-HEA300 / HEB100-160 / IPE200-360									

Other configurations

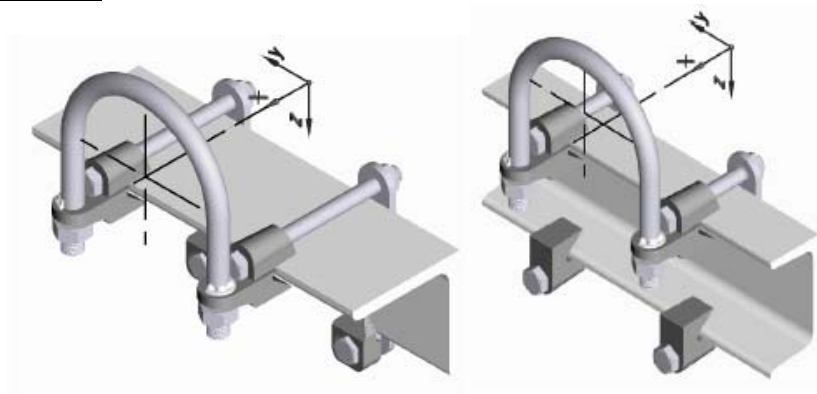


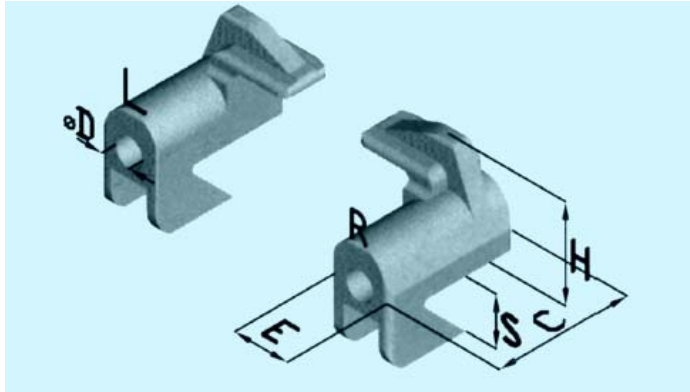
System 22/H4 - H5



Dimension		Outside diam	Widht H2	Lenght B	U bolt	Load (KN)			Weight kg
mm	ND					Fx	Fy	Fz	
50	2"	60,3	30	100	M12	-	0,6	1,4	0,7
65	2 1/2"	76,1	38	118	M12	-	0,5	1,7	0,7
80	3"	88,9	44	130	M12	-	0,4	2,0	0,7
100	4"	114,3	57	160	M12	-	0,3	2,5	0,7
125	5"	139,7	70	188	M12	-	0,3	2,5	0,7
150	6"	168,3	84	216	M12	-	0,2	2,5	0,8
200	8"	219,1	110	272	M12	-	0,2	2,5	0,8
Description		2xH4 + 2xH5 + 2 tie rods M12 + 4 nuts M12 - HD galvanised + 1 U bolt							
Applicable for profiles:		HEA100-HEA300 / HEB100-160 / IPE200-360							

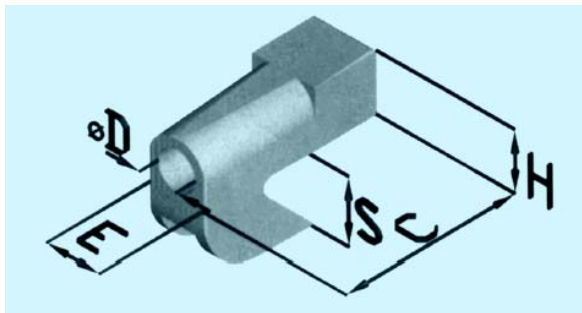
Other configurations



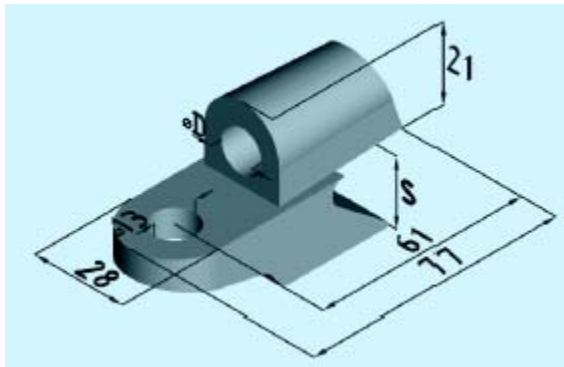
Clamps**22/H1**

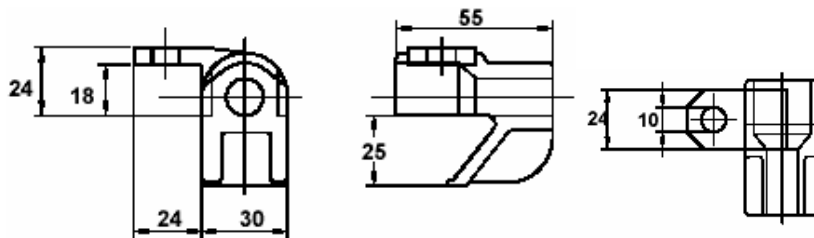
H=39mm
 C=50mm
 E=27
 ØD=13mm
 S=18

- 22/H1L = left clamp
- 22/H1R = right clamp

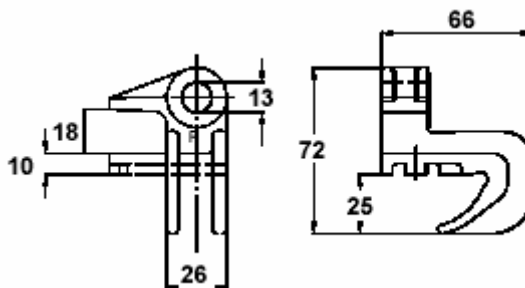
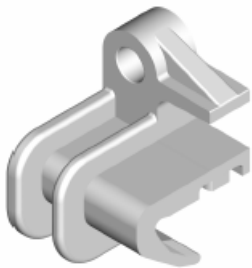
22/H4

H=20mm
 C=50mm
 E=27
 ØD=13mm
 S=18

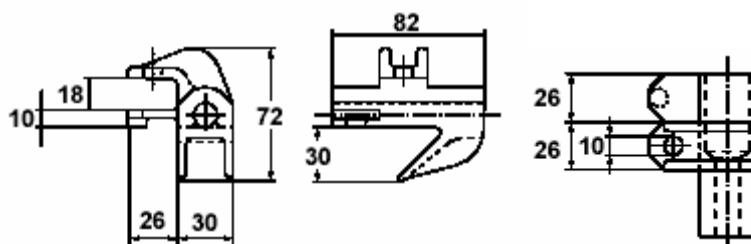
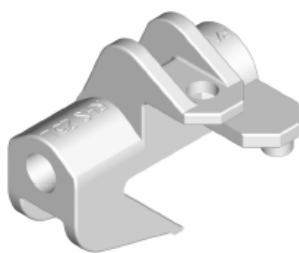
22/H5

Clamps**22/H1H**

- 22/H1LH = Left clamp
- 22/H1RH = Right clamp

22/H101 - 22/H103 (incl PTFE)

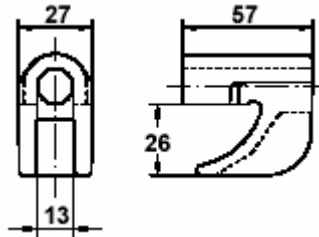
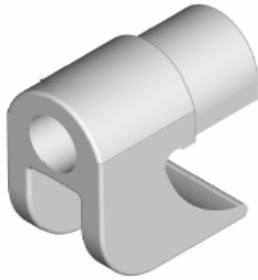
- 22/H101L = Left clamp
- 22/H101R = Right clamp

22/H201 - 22/H203 (incl PTFE)

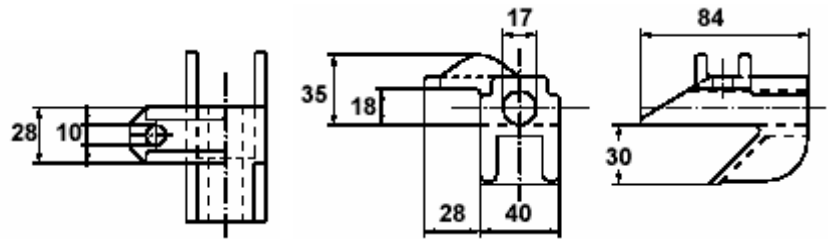
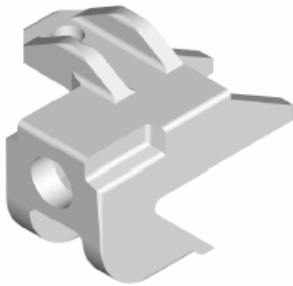
- 22/H201L = Left clamp
- 22/H201R = Right clamp

Clamps

22/H4H



22/H28



- 22/H28L = Left clamp
- 22/H28R = Right clamp

22/H48

